

MarStand 820 N

Small Steel Comparator Stand

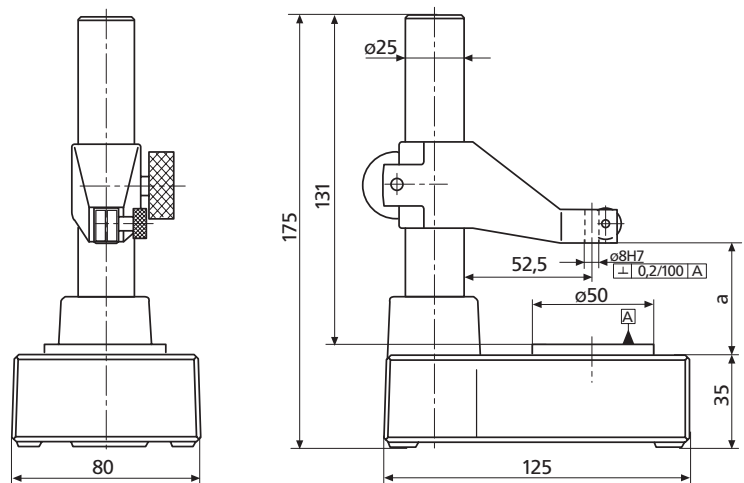
FEATURES

- Small steel comparator stand
- Stable design
- Table plate made of hardened steel
- Rugged, ground stainless steel column
- Adjustable support arm for indicating instrument
- Package contains:** excludes indicator



TECHNICAL DATA

Order no.		4430000	4430018
Product type		820 N	820 N
Working range a	mm	0 – 110	
Working range a	inch	0 – 4.3"	
Grade		DIN 876/00	
Flatness tolerance		$t_f = 2(1 + L/1000) \mu\text{m}$, L in mm	
Mounting hole		8H7	3/8"
Product weight	kg	2.60	



MarStand 820 NC / 820 FC

Small Ceramic Comparator Stand

FEATURES

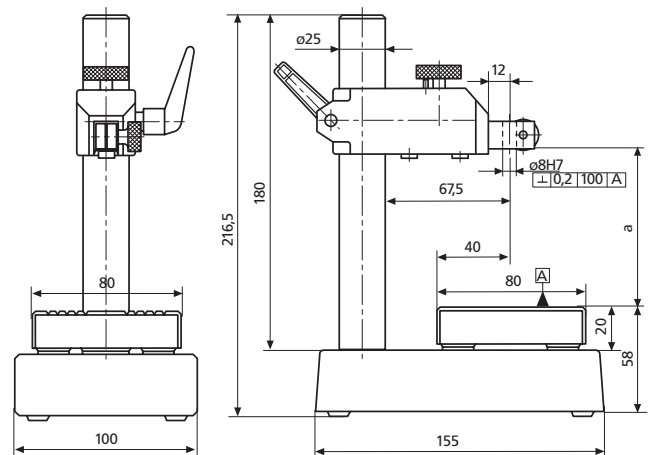
Small ceramic comparator stand

- Stable design
- Ceramic table plate (high hardness for lasting precision)
- Rugged, ground stainless steel column
- Adjustable support arm for indicating instrument
- **Package contains:** excludes indicator



TECHNICAL DATA

Order no.		4432100	4432120	4433100	4433110
Product type		820 NC		820 FC	
Working range a	mm	0 - 110			
Working range a	inch	0 - 4.3"			
Fine adjustment				•	
Fine adjustment range	mm			0.4	
Grade		DIN 876/00			
Flatness tolerance		$t_1 = 2(1 + L/1000) \mu\text{m}$, L in mm			
Mounting hole		8H7	3/8"	8H7	3/8"
Product weight	kg	4.00			



MarStand 820 NG / 820 FG

Small Comparator Stand, Plate made of Granite

FEATURES

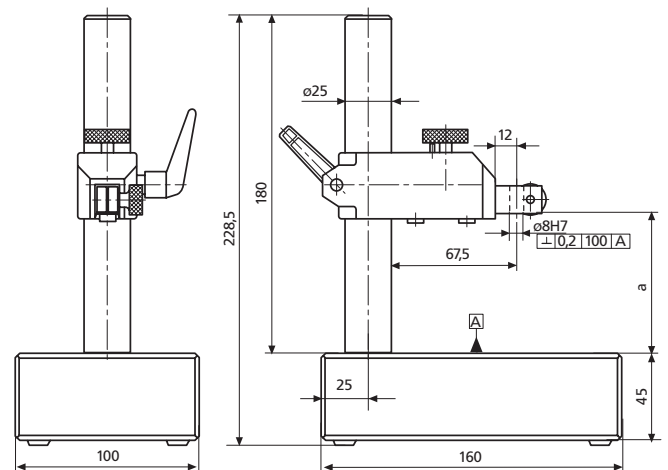
Small comparator stand, plate made of granite

- Stable design
- Table plate made of black granite, lapped
- Rugged, ground stainless steel column
- Adjustable support arm for indicating instrument
- **Package contains:** excludes indicator



TECHNICAL DATA

Order no.		4430100	4430110	4431100	4431110
Product type		820 NG		820 FG	
Working range a	mm	0 – 130			
Working range a	inch	0 – 5.1"			
Fine adjustment					•
Fine adjustment range	mm	0.4			
Grade		DIN 876/0			
Flatness tolerance		$t_f = 4(1 + L/1000) \mu\text{m}$, L in mm			
Mounting hole		8H7	3/8"	8H7	3/8"
Product weight	kg	3.20			



MarStand 821 NG / 821 FG

Large Granite Comparator Stand

FEATURES

- Large granite comparator stand
- Exceptionally stable design
- Table plate made of lapped black granite
- Heavy duty column and adjustable support arm for maximum stability
- Made of ground stainless steel
- Support arm fitted with fall brake
- Package contains: excludes indicator



TECHNICAL DATA

Order no.		4435100	4435101	4435110	4435111	4435150	4435151	4435160	4435161
Product type		821 NG	821 FG	821 NG	821 FG	821 NG	821 FG	821 NG	821 FG
Working range a	mm	0 -250		0 -430		0 -250		0 -430	
Working range a	inch	0 -10"		0 -17"		0 -10"		0 -17"	
Fine adjustment			•		•		•		•
Fine adjustment range	mm		0.4		0.4		0.4		0.4
Grade		DIN 876/0							
Flatness tolerance		$t_1 = 4(1 + L/1000) \mu\text{m}$, L in mm							
Mounting hole		8H7				3/8"			
Product weight	kg	15.80		48.00		15.80		48.00	

